

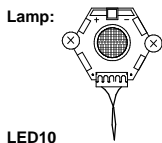
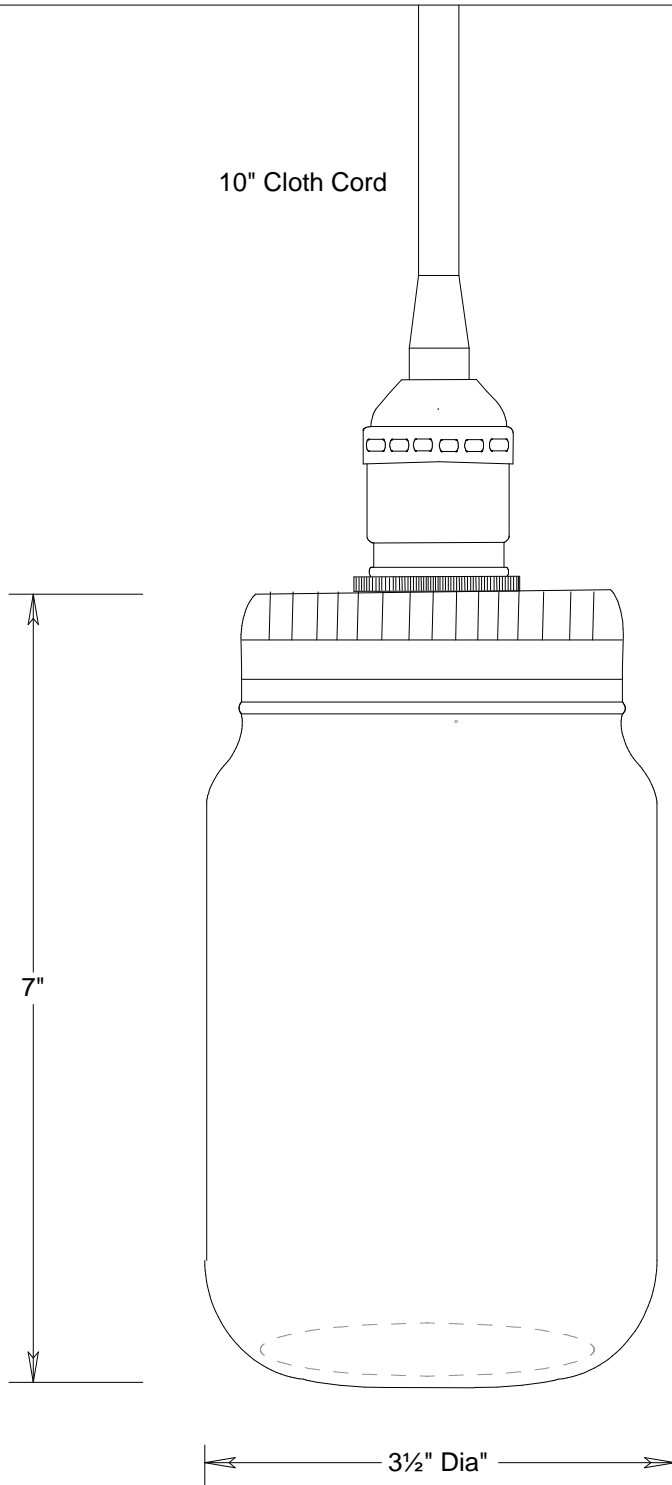


# Primelite Manufacturing Corp

407 S Main St, Freeport, NY 11520

Phone: 516-868-4411 | Fax: 516-868-4609  
 sales@primelite-mfg.com | www.primelite-mfg.com

<b>PART #</b> #31 LED10	<b>LAMP</b> LED10	<b>VOLTAGE</b> 120 V	<b>COLOR</b> Powder Coated Paint
<b>JOB NAME</b>			<b>TYPE</b> Pendant



LED10

Construction: Glass, Brass, Metal

Unless Otherwise Specified:  
 Dimensions in Inches

<b>Name</b>	<b>Date</b>	<b>Mason Jar Pendant #31 LED10</b>		
Drawn	iv	03/05/18		
Checked				
ENG Appr.				
MFR Appr.				
QA				
<b>Mason Jar Colors</b> Clear, Frosted, Red, Blue Green, Yellow		Size	Drawing No.	Rev
		<b>A</b>	<b>0001</b>	<b>A</b>
Scale		CAD File	Sheet	
			<b>1 of 1</b>	

Revisions				
Zone	Rev	Description	Date	Approved