



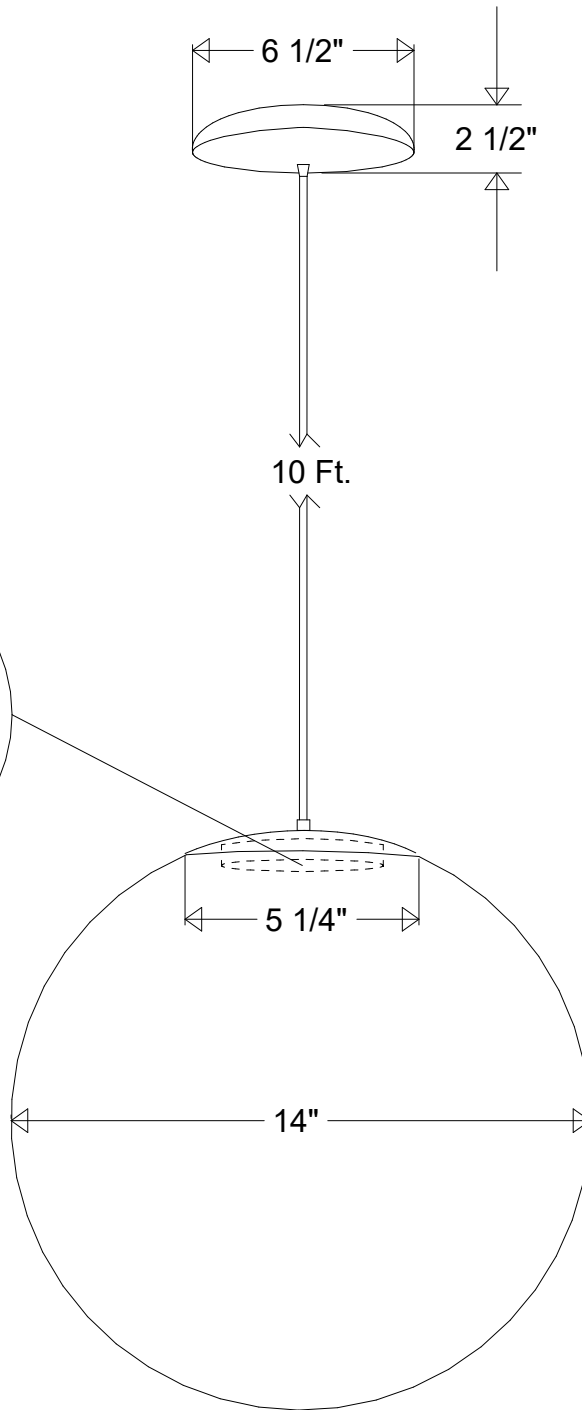
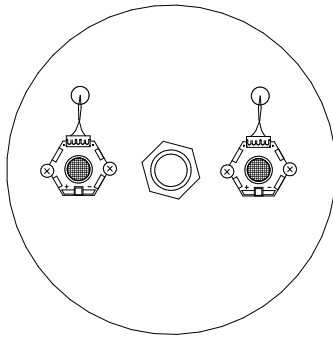
Primelite Manufacturing Corp

407 S Main St, Freeport, NY 11520

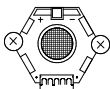
Phone: 516-868-4411 | Fax: 516-868-4609
 sales@primelite-mfg.com | www.primelite-mfg.com

PART # #284	LAMP Built-In LED	VOLTAGE 120 V	COLOR Powder Coated Paint
JOB NAME			TYPE Pendant

2 X LED 10 Chip
& Heat Sink



Lamp: LED 20 (2 X LED 10 Chip)
2530 Lumens | 200 W Inc Equivalent



Construction: Aluminum | Acrylic

Unless Otherwise Specified:
Dimensions in Inches

Name	Date
Drawn CB	5/2020
Checked	
ENG Appr.	
MFR Appr.	
QA	
Weight	

Pendant #284 LED 20

14" Dia | 10' Vinyl Cord | Acrylic Globe
Smoke | White | Clear

Size A	Drawing No. 0001	Rev A
------------------	----------------------------	-----------------

Scale	CAD File	Sheet 1 of 1
-------	----------	------------------------

Revisions				
Zone	Rev	Description	Date	Approved