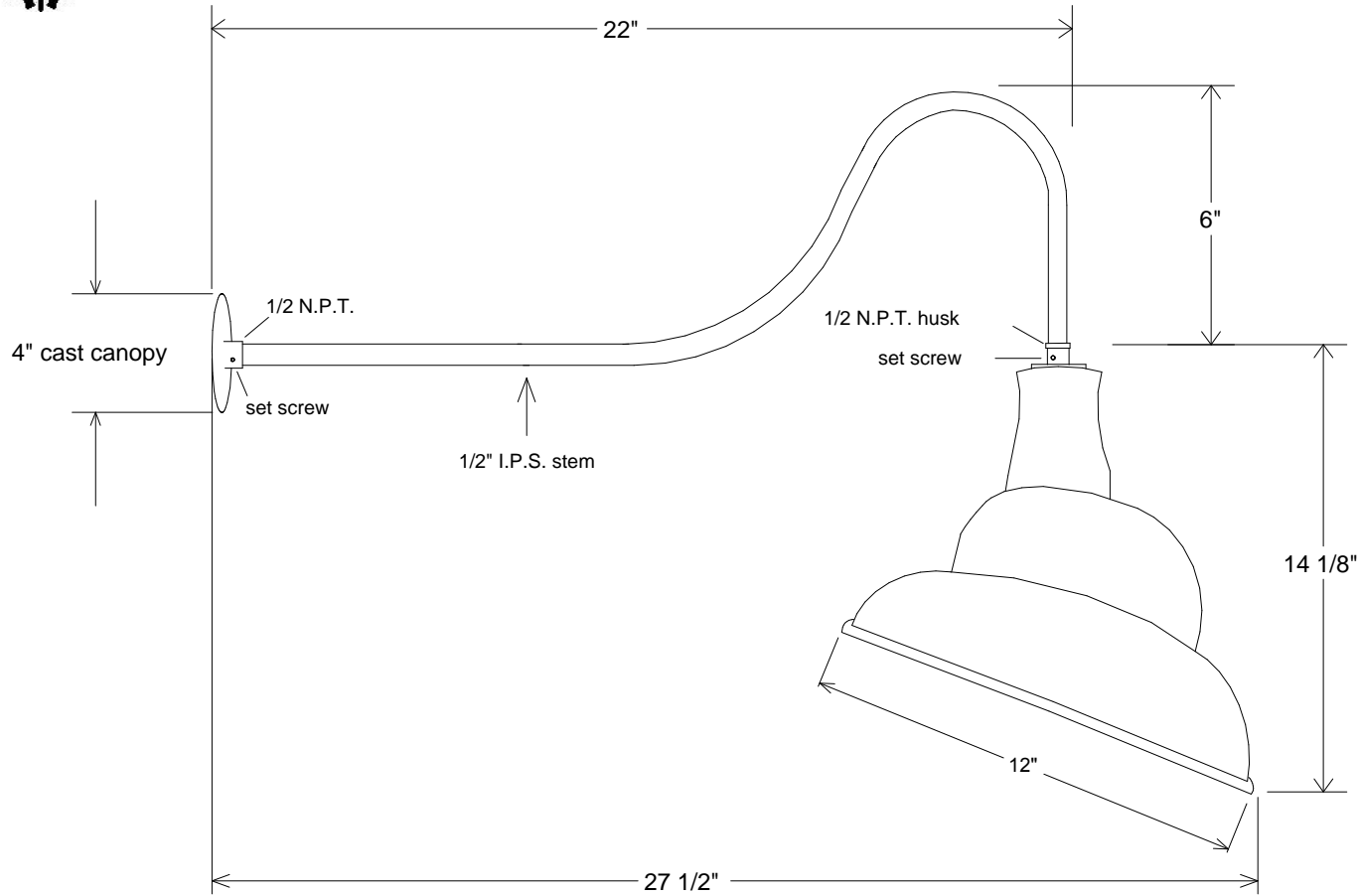




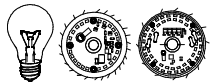
Primelite Manufacturing Corp

407 S Main St, Freeport, NY 11520
 Phone: 516-868-4411 | Fax: 516-868-4609
 sales@primelite-mfg.com | www.primelite-mfg.com

PART # #19/850-LED	LAMP LED	VOLTAGE 120 V	COLOR Powder Coated Paint
JOB NAME			TYPE Gooseneck



Lamp: Incandescent | LED



1/300A | LED12 | LED22

Construction: Aluminum

Unless Otherwise Specified:
Dimensions in Inches

Name	Date	Gooseneck #19/850 LED		
Drawn	lv	12" Dia Shade 22" Arm		
Checked				
ENG Appr.				
MFR Appr.		Size	Drawing No.	Rev
QA		A	0001	A
Comments		Scale	CAD File	Sheet
				1 of 1

Revisions				
Zone	Rev	Description	Date	Approved

